

Rlux

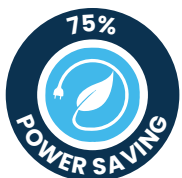
INDUSTRIAL LIGHTING

LEPUS

LED WALL PACK FULL CUT OFF



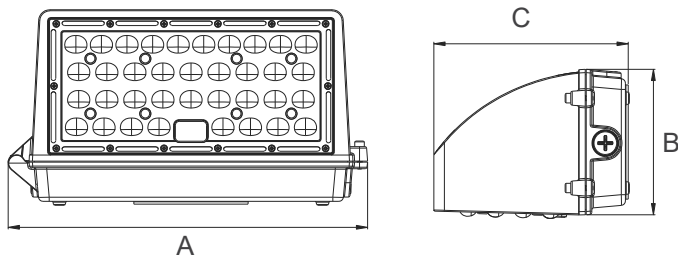
www.rlux.in



PRODUCT DESCRIPTION

The RLUX Lepus LED wall pack full cutoff is the best in its class for power efficiency when it comes to light fixtures for wall-mounted security and building facades. It offers reduced energy consumption and eliminates the need for frequent bulb and ballast replacements which are common with conventional Wall Packs that contain Metal Halide and High Pressure Sodium bulbs. It is designed to replace the traditional Wall Packs up to 1000W HID.

PHYSICAL PARAMETERS



Wattage	A (in)	B (in)	C (in)
48 W - 100 W	12.6	5.1	6.8

PRODUCT FEATURES

- Moisture and dust resistant.
- Smooth and uniform light output void of flicker or humming noise.
- Sleek and modern aesthetics combined with a rugged construction.
- Resistant to vibration and water.
- Inputs voltage range : 100 -277 V, 50-60Hz.
- Made from prime grade aluminium alloy.

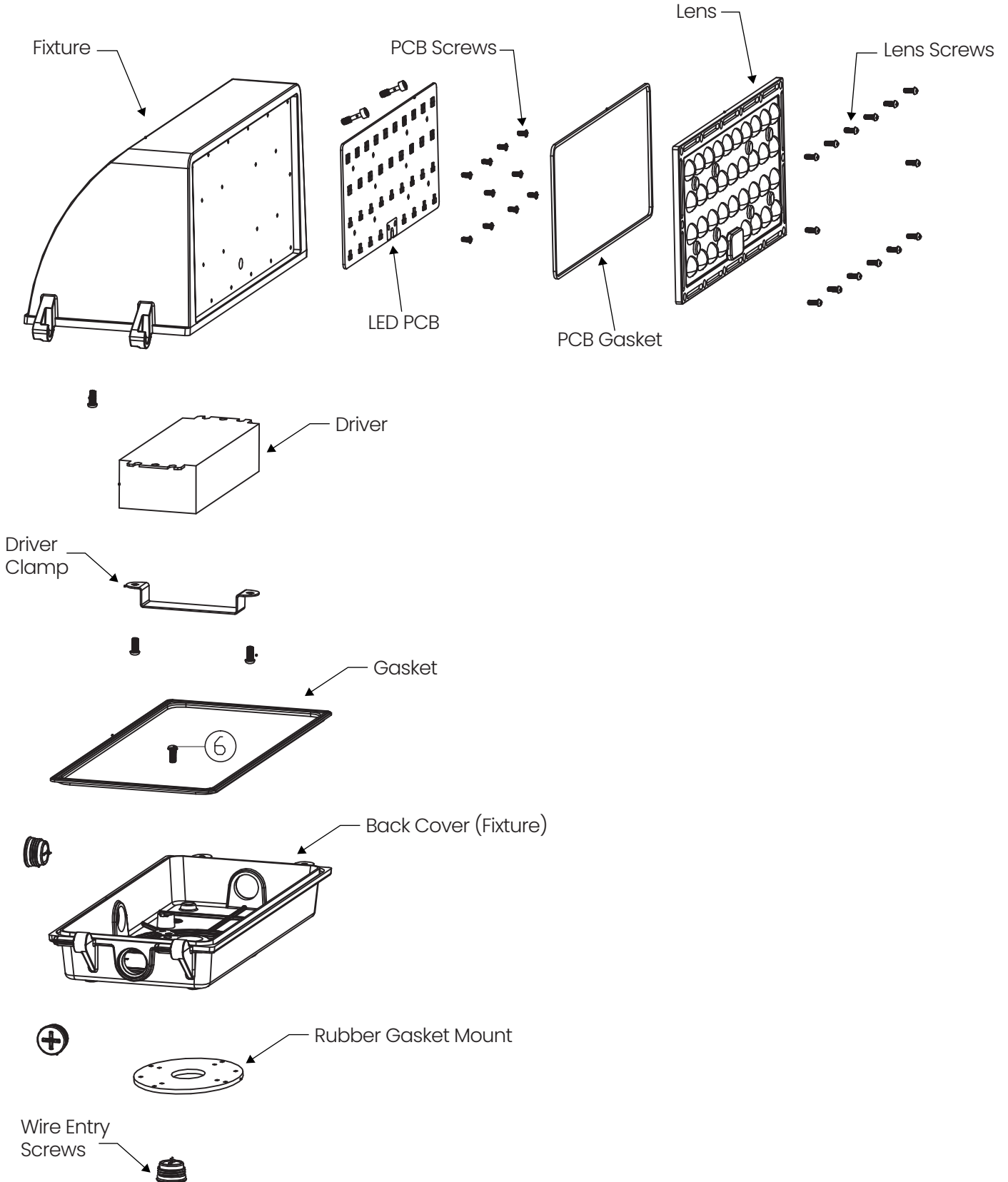
ORDERING INFORMATION

Part Number	Fixture Type	Dimming	Wattage	CCT	Voltage	CRI	Light Distribution	Internal
6	XX	X	0000W	C	V	R	X	Y

SERIES CODE

Model Number	Wattage	CCT Optional	CRI	Efficacy	Lens Type
602D0048WCVRXY	48 W	2700 K - 5700 K	70+	110 lm/W	Polycarbonate Type 2, 3, 4, 5
602D0060WCVRXY	60 W	2700 K - 5700 K	70+	110 lm/W	
602D0080WCVRXY	80 W	2700 K - 5700 K	70+	110 lm/W	
602D0100WCVRXY	100 W	2700 K - 5700 K	70+	110 lm/W	

EXPLODED VIEW

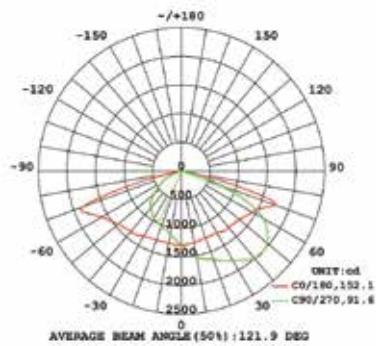


FIXTURE DETAILS

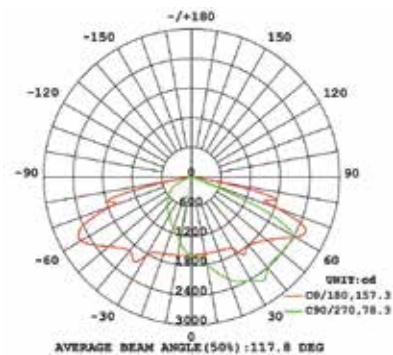
Efficacy	110 lm/W			
Wattage	48 W	60 W	80 W	100 W
Lumen Output	5280 lm	6600 lm	8800 lm	11000 lm
LED Brand and Package	LUMILED / CREE 3030, 1W			
Number of LEDs	56	72	108	144
Operating Temperature	-20°F to +140°F			
IP Rating	IP65			
Power Factor	> 0.95			
Heat Sink Type	High Pressure Die Cast Aluminum			
PCB Thickness	1.2mm			

OPTOMETRIC DATA

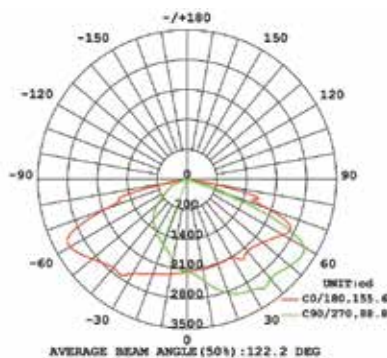
48 W



60 W

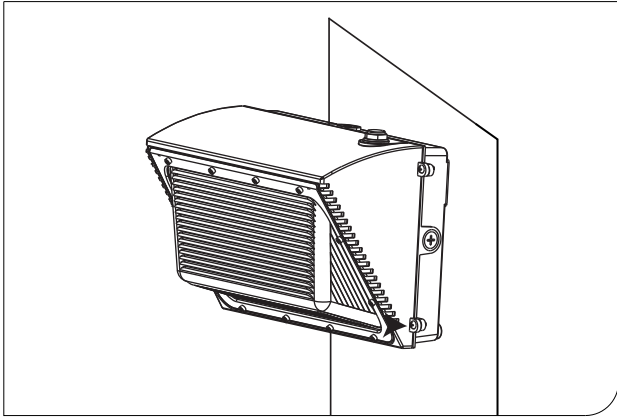


80 W



MOUNTING OPTIONS

A. WALL MOUNT



INSTALLATION

A. WALL MOUNT

1. Unscrew the screw to remove the lamp body (Figure 1)
2. Unscrew the cover of the entry hole and remove it. (Figure 2)
3. Connect input and dimming wires with wires from j-box. (Figure3)
4. Use the screws to lock the fixture. (Figure 4)

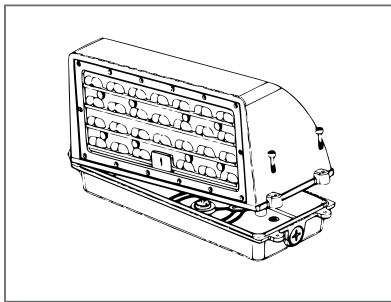


Figure 1

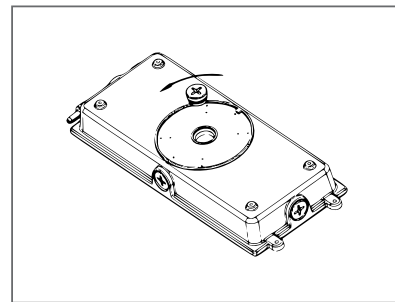


Figure 2

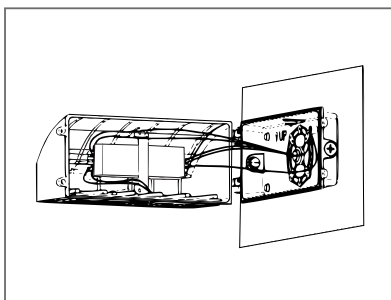


Figure 3

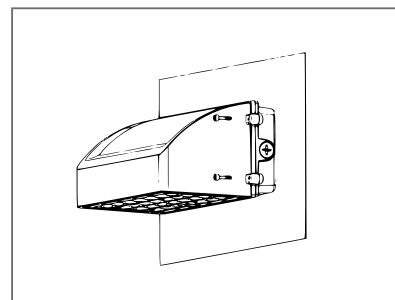


Figure 4

APPLICATION AREAS



COMPANY SHOWROOM



SCHOOLS



PARKINGS



SIDEWAYS



WAREHOUSE



WALKWAYS