

# Rlux

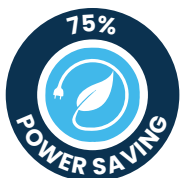
INDUSTRIAL LIGHTING

## LEPUS

LED WALL PACK SEMI CUT OFF



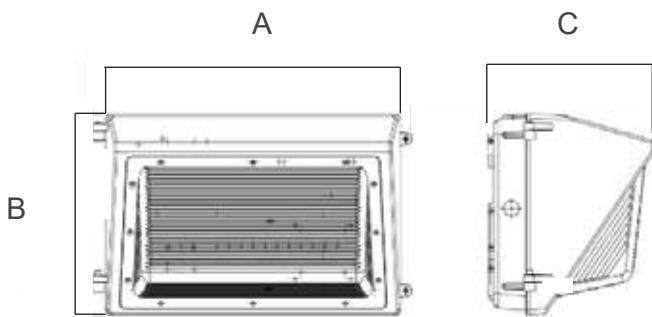
[www.rlux.in](http://www.rlux.in)



## PRODUCT DESCRIPTION

The RLUX Lepus LED wall pack semi cutoff is one of the most energy efficient lighting options in the market for wall-mounted security and building facades. It offers reduced energy consumption and eliminates the need for frequent bulb and ballast replacements that are commonly found with conventional Wall Packs that contain Metal Halide and High Pressure Sodium bulbs. It is designed to replace traditional Wall Packs up to 400W HID.

## PHYSICAL PARAMETERS



Wattage	A (in)	B (in)	C (in)
48 W - 130 W	14.21	9.25	7.08

## PRODUCT FEATURES

- Moisture and dust resistant.
- Smooth and uniform light output void of flicker or humming noise.
- Sleek and modern aesthetics combined with a rugged construction.
- Resistant to vibration and water.
- Inputs voltage range : 100 -277 V, 50-60Hz.
- Made from prime grade aluminum alloy.

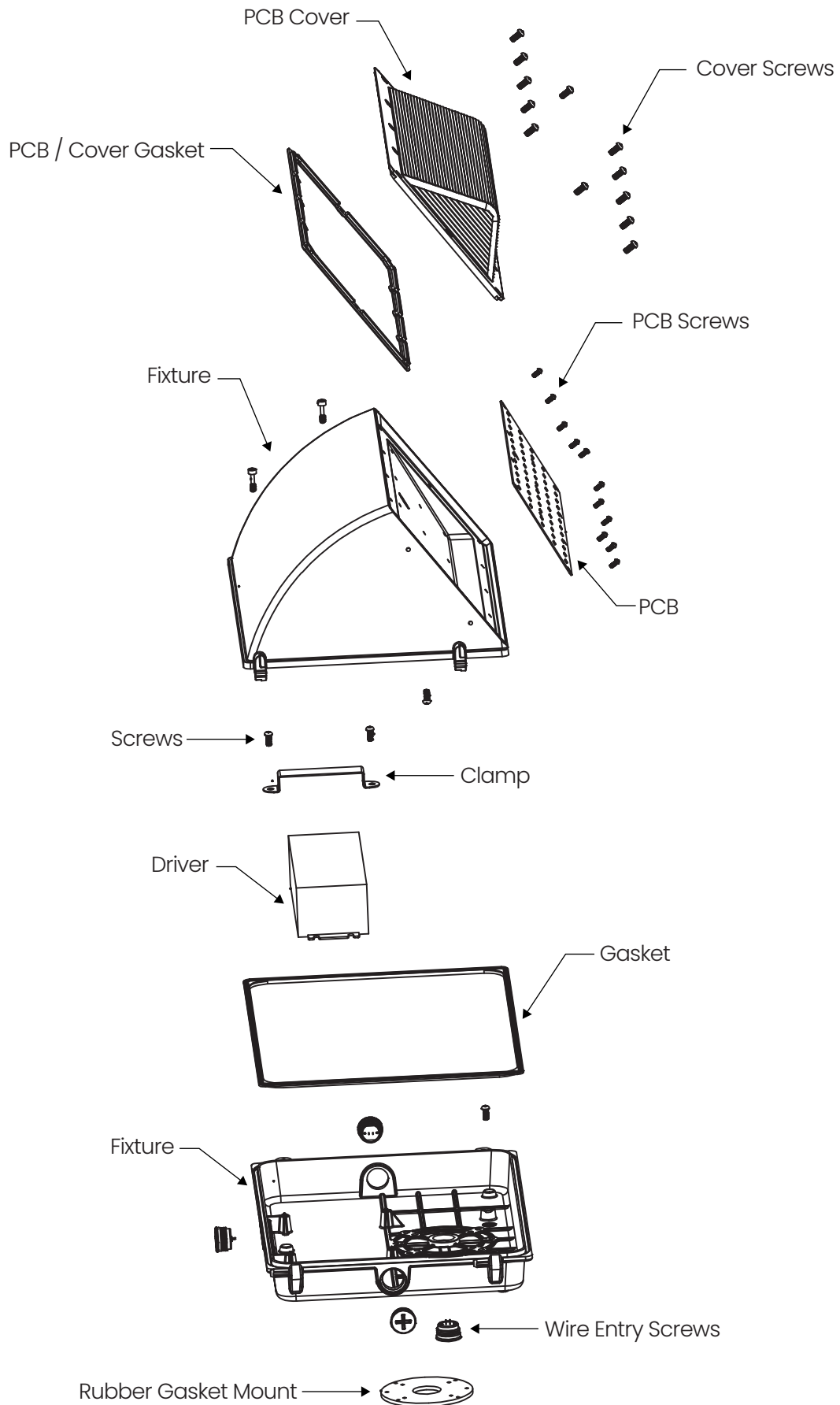
## ORDERING INFORMATION

Part Number	Fixture Type	Dimming	Wattage	CCT	Voltage	CRI	Light Distribution	Internal
6	XX	X	0000W	C	V	R	X	Y

### SERIES CODE

Model Number	Wattage	CCT Optional	CRI	Efficacy	Diffuser Type
60ID0048WCVRXY	48 W	2700 K - 5700 K	70+	110 lm/W	Clear / Frosted
60ID0060WCVRXY	60 W	2700 K - 5700 K	70+	110 lm/W	Clear / Frosted
60ID0080WCVRXY	80 W	2700 K - 5700 K	70+	110 lm/W	Clear / Frosted
60ID0100WCVRXY	100 W	2700 K - 5700 K	70+	110 lm/W	Clear / Frosted
60ID0130WCVRXY	130 W	2700 K - 5700 K	70+	110 lm/W	Clear / Frosted

## EXPLODED VIEW

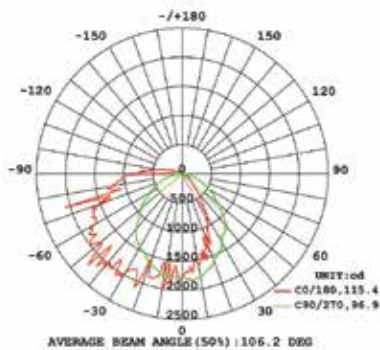


## FIXTURE DETAILS

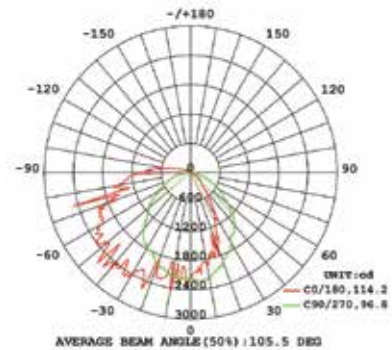
Efficacy	110 lm/W				
Wattage	48 W	60 W	80 W	100 W	130 W
Lumen Output	5280 lm	6600 lm	8800 lm	11000 lm	14300 lm
LED Brand and Package	LUMILED / CREE 3030, 1W				
Number of LEDs	56	72	108	144	189
Operating Temperature	-20°F to +140°F				
IP Rating	IP65				
Power Factor	> 0.95				
Heat Sink Type	High Pressure Die Cast Aluminum				
PCB Thickness	1.2mm				

## DISTRIBUTION DIAGRAM

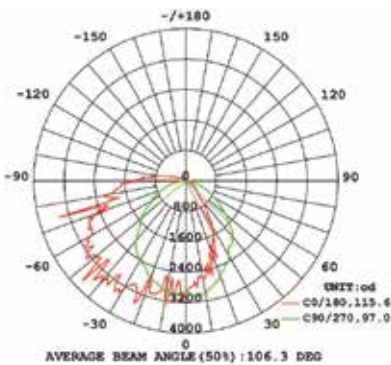
48 W



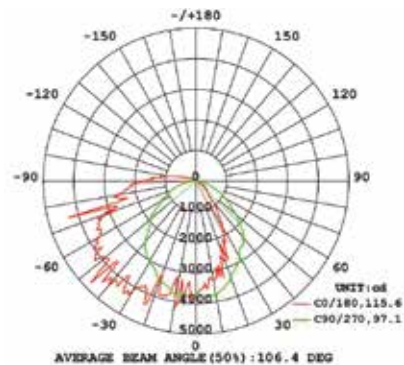
60 W



80 W

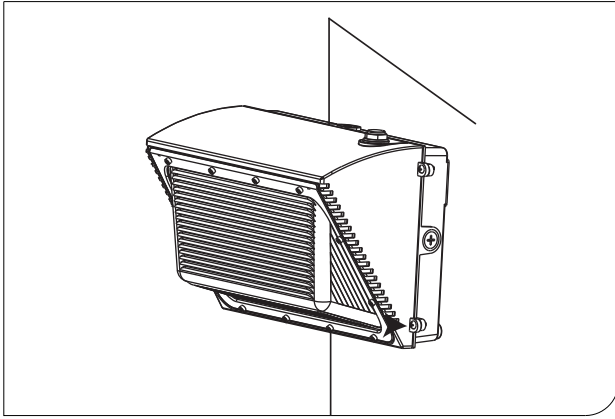


100 W



## MOUNTING OPTIONS

### A. WALL MOUNT



## INSTALLATION

### A. WALL MOUNT

1. Unscrew the screw to remove the lamp body ( Figure 1)
2. Unscrew the cover of the entry hole and remove it. ( Figure 2)
3. Connect input and dimming wires with wires from j-box. (Figure3)
4. Use the screws to lock the fixture. (Figure 4)

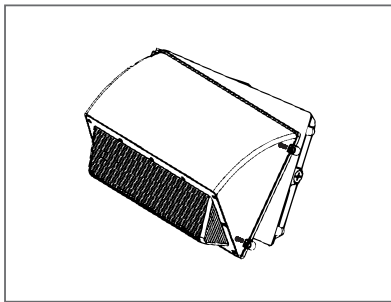


Figure 1

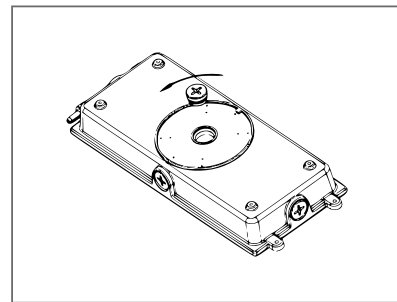


Figure 2

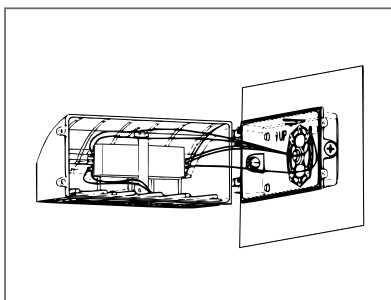


Figure 3

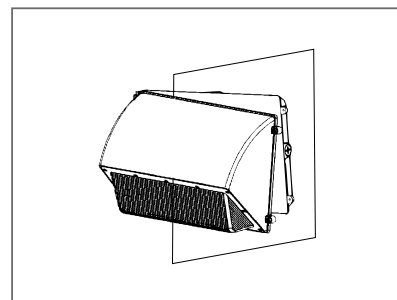


Figure 4

## APPLICATION AREAS



RESTAURANTS



SCHOOLS



PARKING SECURITY



SIDEWAYS



WAREHOUSE



WALKWAYS