

# Rlux

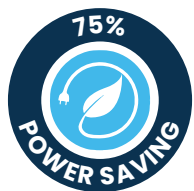
INDUSTRIAL LIGHTING

## ALTERF

### LED LINEAR HIGH BAY



[www.rlux.in](http://www.rlux.in)



## PRODUCT DISCIPTION

The RLUX ALTERF PREMIUM HIGH BAY is designed for a variety of applications and mounting heights. Wide angle optics, multiple lumen packages and color temperatures make it ideal for industrial, commercial, manufacturing, gymnasium and other applications, that utilize traditional linear fluorescent and HID fixtures. Suggested mounting heights are between 15–25 feet. This high bay reduces up to 70% of the energy usage and has a life span of over 10 years. This fixture is available in a frosted or clear lens.

## PHYSICAL PARAMETERS



Wattage	A (in)	B (in)	C (in)
75 W-150 W	22.8	9.52	1.8
200 W-240 W	43.1	9.85	1.8

## PRODUCT FEATURES

- 100,000 hours of lifetime.
- Superior heat dissipation capability due to use of multiple heat sinks.
- Smooth and uniform light output with no flickering or humming.
- Sleek design and Low-profile makes it suitable for a wide range of applications.
- Savings of up to 75% over conventional fluorescent fixtures.
- Resistant to vibration and water.
- Inputs voltage range : 100 -277 V or 200 -480 V, 50-60Hz.

## ORDERING INFORMATION

Part Number	Fixture Type	Dimming	Wattage	CCT	Voltage	Light Distribution	Internal
3	XX	X	0000W	C	L	X	Y

### SERIES CODE

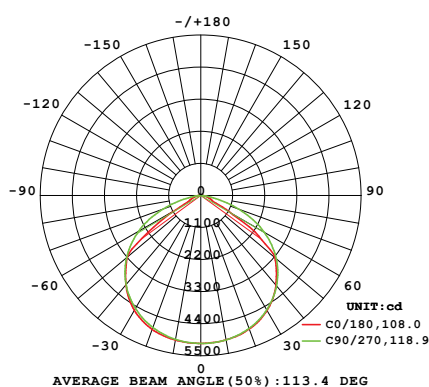
Model Number	Wattage	CCT Optional	CRI	Efficacy	Diffuser Type
302D0075WCLXY	75 W	2700 K - 5700 K	70+ / 80+	140 lm/W	Clear / Frosted
302D0100WCLXY	100 W	2700 K - 5700 K	70+ / 80+	140 lm/W	Clear / Frosted
302D0150WCLXY	150 W	2700 K - 5700 K	70+ / 80+	140 lm/W	Clear / Frosted
304D0200WCLXY	200 W	2700 K - 5700 K	70+ / 80+	140 lm/W	Clear / Frosted
304D0240WCLXY	240 W	2700 K - 5700 K	70+ / 80+	140 lm/W	Clear / Frosted
304D0300WCLXY	300 W	2700 K - 5700 K	70+ / 80+	140 lm/W	Clear / Frosted
304D0400WCLXY	400 W	2700 K - 5700 K	70+ / 80+	140 lm/W	Clear / Frosted

## FIXTURE DETAILS

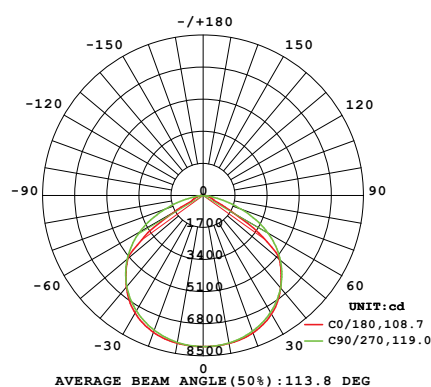
Efficacy	140 lm/W						
Wattage	75 W	100 W	150 W	200 W	240 W	300 W	400 W
Lumen Output	10500 lm	14000 lm	21000 lm	28000 lm	33600 lm	42000 lm	56000 lm
LED Brand and Package	BRIDGELUX / CREE 2835, 0.5W						
Operating Temperature	10°F to +120°F						
Number of LEDs	408	544	884	1088	1360	1786	1768
IP Rating	IP40						
Power Factor	> 0.95						
Heat Sink Type	Aluminum						

## DISTRIBUTION DIAGRAM

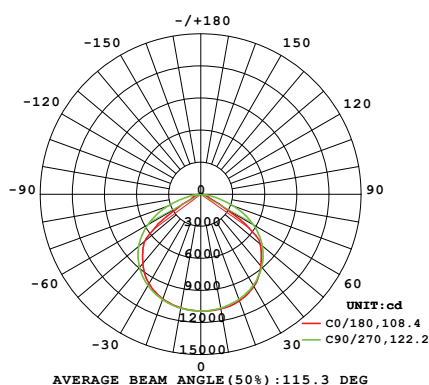
100 W



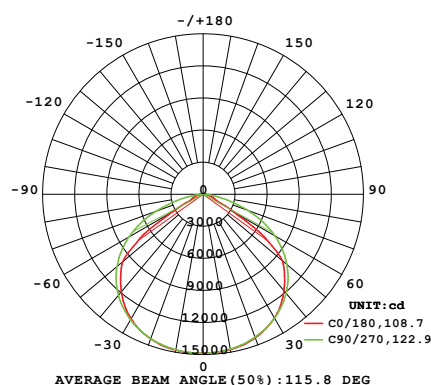
150 W



200 W

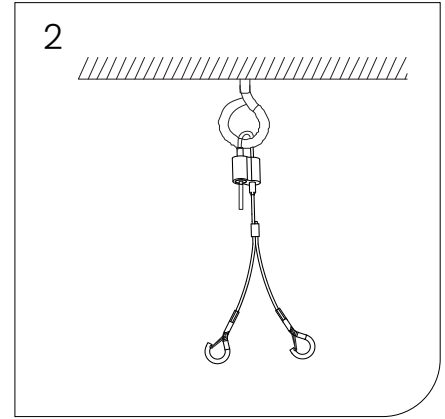
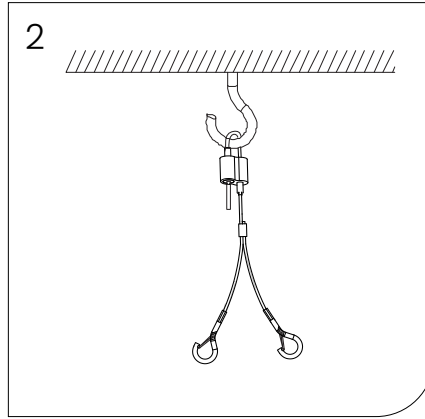
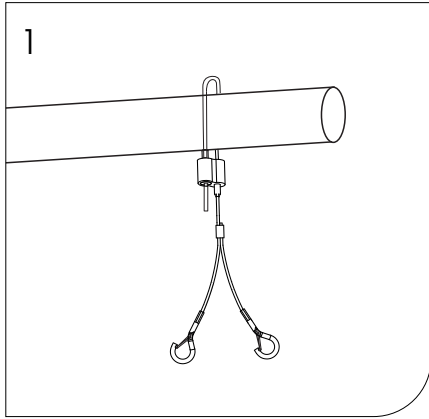


300 W



## MOUNTING OPTIONS

A. Hang the suspension rope through the rod, hook or ring.



## INSTALLATION

A. Hang the suspension rope through the rod

1. Hook the spring buckle on the suspension rope to the installation hole of the lamp. (Figure 1)
2. Please connect all cables and terminals according to the wiring diagram. Please pay attention to the grounding.(Figure 2)
3. Adjust the suspension rope to keep the lamp tidy and balanced. (Figure 3)

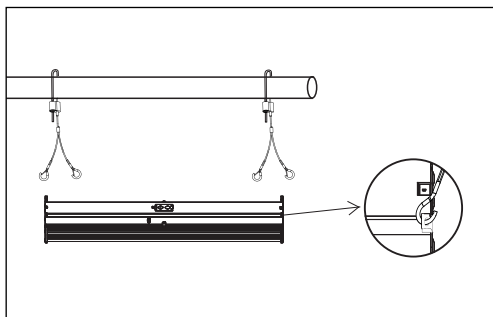


Figure 1

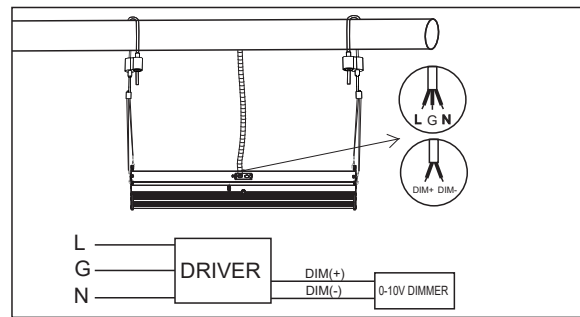


Figure 2

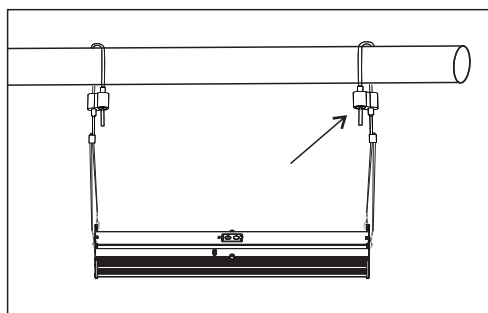


Figure 3

## APPLICATION AREAS



WAREHOUSE



CONVENTION CENTERS



SPORTS



GARAGE PARKING



SUPER MARKETS



FACTORY